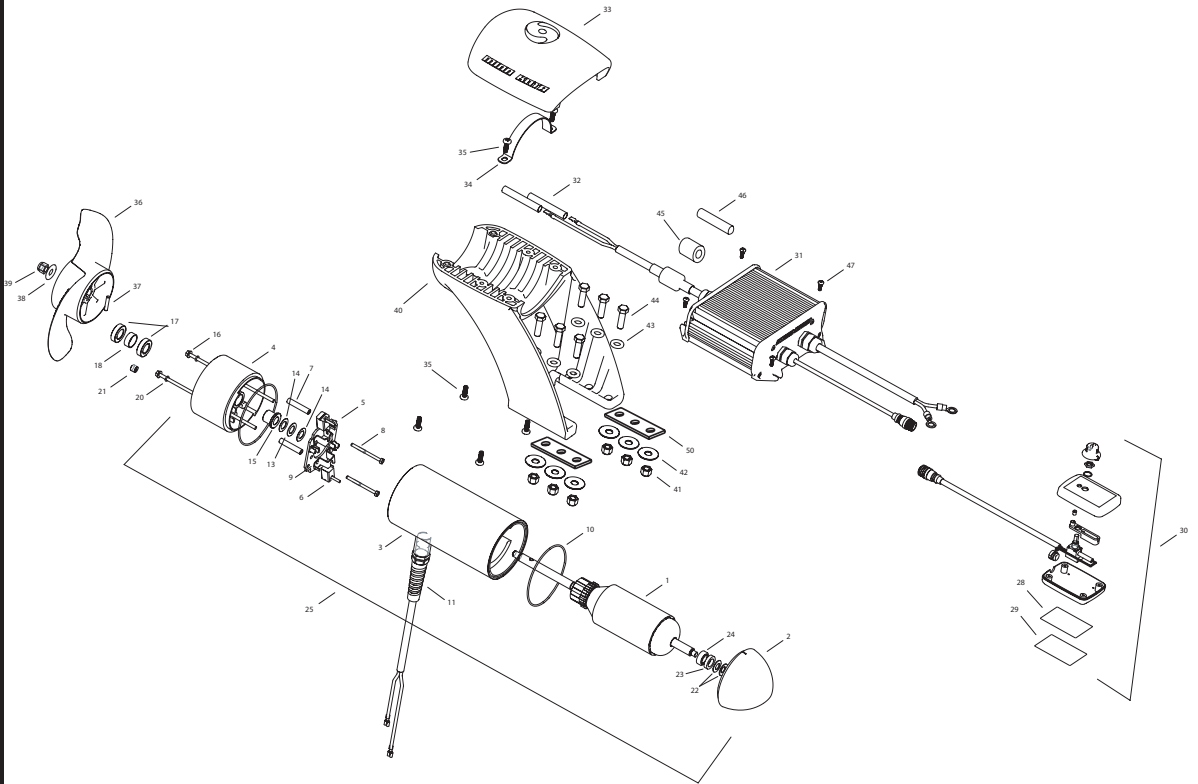


**EM 101**  
**36V Single**

This page provides MinnKota® WEEE compliance disassembly instructions. For more information about where you should dispose of your waste equipment for recycling and recovery and/or your European Union member state requirements, please contact your dealer or distributor from which your product was purchased.

**Tools required but not limited to:** Flat Head screw driver, Phillips screw driver, Socket set, Pliers, wire Cutters.



In the U.S.A., replacement parts may be ordered directly from MINN KOTA Parts Dept., 121 Power Drive, P.O.Box 8129, Mankato, Minnesota 56002-8129. In Canada, parts may be ordered from any of the Canadian Authorized Service Centers shown on the enclosed list. Be sure to provide the MODEL and SERIAL numbers of your motor when ordering parts. Please use the correct part numbers from the parts list. Payment for any parts ordered from the MINN KOTA parts department, may be by cash, personal check, Discover Card, MasterCard or VISA. To order, call 1-800-227-6433 or FAX 1-800-527-4464.

1	2-100-235	ARMATURE 36V 4.0
2	421-276	PLAIN END
3	2-200-109	CENTER HOUSING ASSEMBLY
4	2-300-149	BRUSH END HOUSING (CONTAINS 4, 15, 17, 18, 21)
5	2-600-234	BRUSH PLATE ASSEMBLY (CONTAINS 5, 6, 9)
6	188-094	BRUSH
7	973-025	SPACER - BRUSH PLATE
8	830-027	SCREW #10-32 X 2 SLF THREAD
9	975-041	BRUSH SPRING
10	701-043	O-RING [2 EA]
11	2772917	LEADWIRE ASSEMBLY
13	990-051	WASHER STEEL
14	990-052	WASHER NYLATRON
15	144-017	FLANGE BEARING
16	830-096	THRU-BOLT 12-24 X 10.31
17	880-025	SEAL [2 EA]
18	725-095	PAPER TUBE
20	701-009	O-RING THRUBOLT
21	836-001	ALUMINUM PLUG
22	992-010	SPRING WASHER [2 EA]
23	990-045	THRUST SPACER
24	140-010	BALL BEARING
25	2396250	MOTOR ASSY 36V 4.0 101#
28	9950953	VELCRO 1.5 X 2.0 LOOP
29	9950950	VELCRO 1.5 X 2.0 HOOK
30	2990241	HAND CONTROLLER
31	2990247	CONTROL MODULE
32	2385401	SHRINK TUBE [2 EA]
33	2380210	TOP CAP
34	2383810	STRAP, EM
35	2383418	SCREW 1/4-20 SELF TAPPING [6 EA]
■	1378132	PROP KIT
36	2331160	PROPELLER
37	2262658	DRIVE PIN
38	2091701	WASHER, PROP LARGE
39	2093101	NUT, PROP
40	2381940	LOWER BRACKET
41	2383122	NUT 3/8-16 NYLOCK [6EA]
42	2381726	WASHER FENDER 3/8 X 1 1/4 OD [3 EA]
43	2381728	WASHER 3/8 [3 EA]
44	2383422	SCREW 3/8 X 1 1/4 [6EA]
45	2307310	FERRITE BEAD (EUROPEAN MOTORS ONLY)
46	2075401	HEATSHRINK (EUROPEAN MOTORS ONLY)
47	2373427	SCREW #12 X 5/8 [4 EA]
50	2385110	INSULATOR PAD, EM
■	2994856	BAG ASSY (CONTAINS 38-41,32,28,29,47, 50, & TIE WRAPS)

\* This item is part of an assembly. This item cannot be sold separately due to machining and /or assembly that is required.